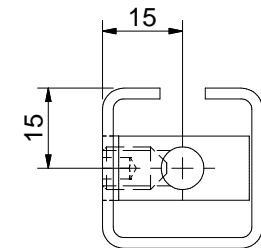
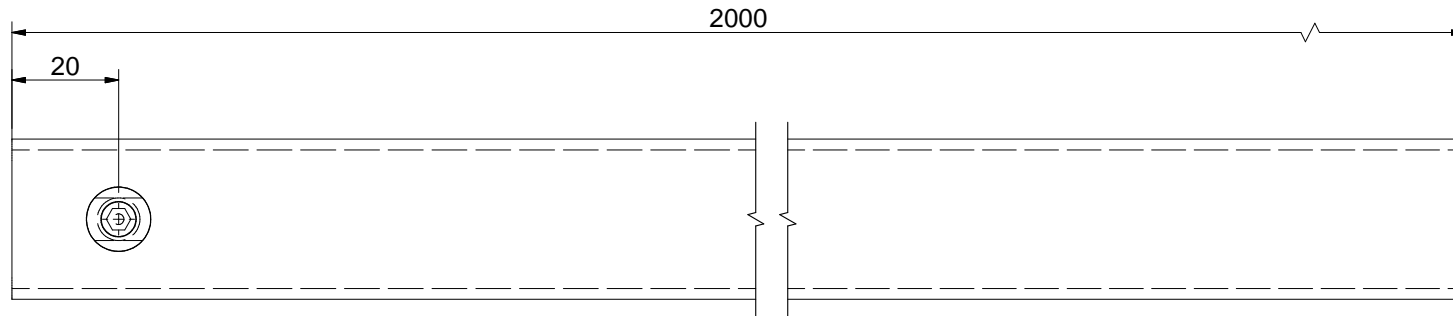
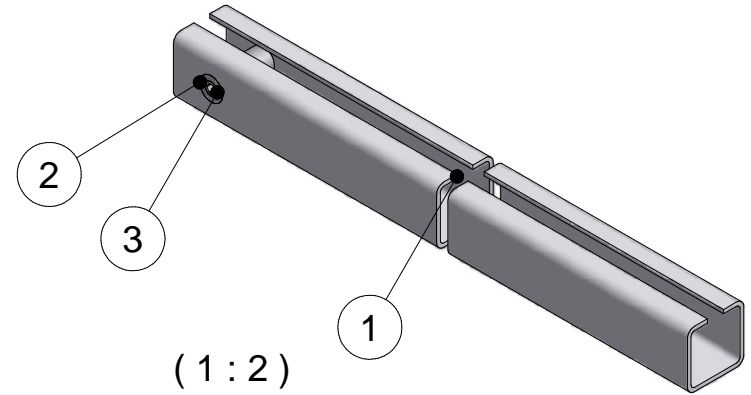


REVISION HISTORY				
ZONE	REV	DESCRIPTI	DATE	APPROVED
	1	prop verplaatst	17-01-2008	tekenaar



3	1	Stelschroef met binnenzeskant M8x12 en kegelpunt SMIT	07800.080.012	Steel, Mild	
2	1	Prop RVS	605194	RVS 303 NR 1.4305	00
1	1	Strebenprofiel 30x30 1N	605155_001	Alu AW-6060	00
ITM	QT	DESCRIPTION	PART NR	MATERIAL	REV NR
		Threatment	Units	MM	
Aftertreatment			Not on scale bases	25	
Layer thickness			Reference	(25)	
Description:		Basis lengte Strebenprofiel 30x30 1N		Scale	1:1
Project:		Sjabloonkoker		Engineer: TM	Checked by:
				Date: 21-8-2007	Date:
				Revision	00
				Project number:	
				Projection	First angle
				Sheetsize	A3
				Drawing number	605155
POSTBUS 151 3400 AD IJSSELSTEIN, HOLLAND TELEPHONE : 0031 - (0)30 - 6877940 FAX : 0031 - (0)30 - 6875688 E-MAIL : HMB@HMBPROFITTOOLS.NL					
THIS DRAWING REMAINS PROPERTY OF HMB PROFIT TOOLS AND MAY NOT BE COPIED WITHOUT OUR WRITTEN CONSENT.					